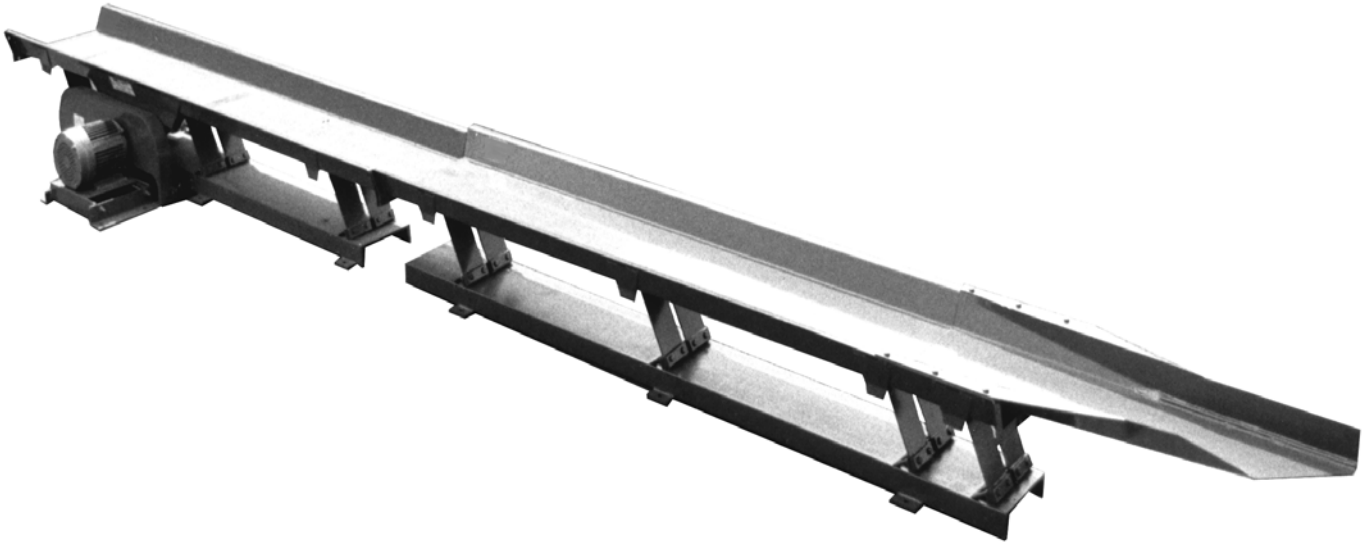




# LOG AND LUMBER HANDLING EQUIPMENT

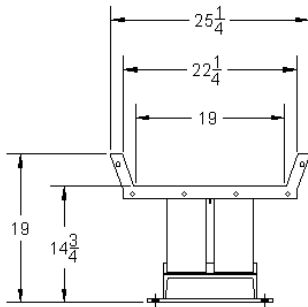
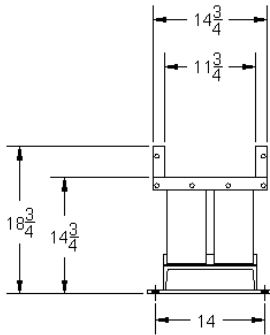
## VIBRATING CONVEYOR

3/16" STANDARD DUTY



### SPECIFICATIONS

- Steel trough.....1/4" formed steel
- Base Weldments.....12" Channels
- Conveying Speed.....50 FPM
- Horsepower Requirements.....1.3 HP per 10' of length



These sizes are now available as standard conveyors.  
Specify 19" or 12" wide when ordering  
Different size pans are available as special orders

ITEM	DESCRIPTION
150-3	10' Section with Eccentric
150-3a	75" Section with Eccentric
151-3	10' Section Intermediate
152-3	75" Section Intermediate
153-3	45" Section Intermediate
154-3	60" Fiberglass Section
155-3	Transition spout (horizontal hog or chipper)*
156-3	5 HP Electric Drive**
157-3	7.5 HP Electric drive**
158-3	10 HP Electric Drive**
	15 HP Electric Drive**
159-3	10' Section Intermediate with Sawdust Screen***

\*Specify hog or chipper brand and size

\*\*Includes motor, motor base, sheaves, belts and shield  
Specify right or left hand drive

70' Maximum length with one drive

\*\*\*Specify right or left hand discharge

### SOLD BY:

#### MELLOTT MFG. CO., INC.

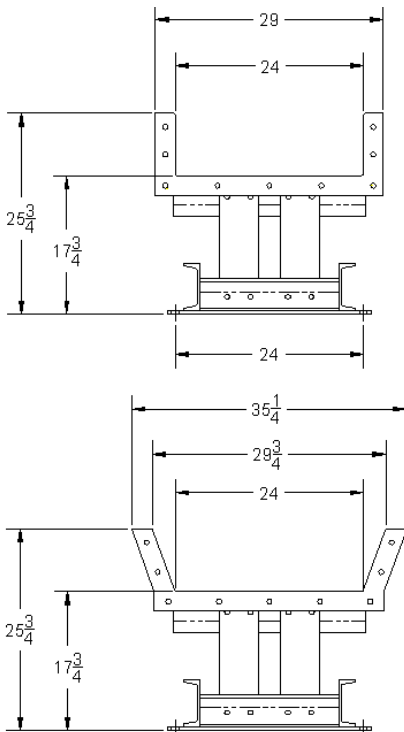
13156 Long Lane  
Mercersburg, PA 17236  
Phone: (717) 369-3125 Fax: (717) 369-2800



# LOG AND LUMBER HANDLING EQUIPMENT

## VIBRATING CONVEYOR

1/4" HEAVY DUTY



### SPECIFICATIONS

- Steel trough.....1/4" formed steel
- Base Weldments.....6" Channels
- Conveying Speed.....50 FPM
- Horsepower Requirements.....2 HP per 10' of length

ITEM	DESCRIPTION
150-4	10' Section with Eccentric
150-4a	75" Section with Eccentric
151-4	10' Section Intermediate
152-4	75" Section Intermediate
153-4	45" Section Intermediate
154-4	60" Fiberglass Section
155-4	Transition spout (horizontal hog or chipper)*
156-4	5 HP Electric Drive**
157-4	7.5 HP Electric drive**
158-4	10 HP Electric Drive**
	15 HP Electric Drive**
159-4	10' Section Intermediate with Sawdust Screen***
159-4a	18' Section Intermediate with Sawdust Screen***

\*Specify hog or chipper brand and size

\*\*Includes motor, motor base, sheaves, belts and shield

Specify right or left hand drive

70' Maximum length per drive

\*\*\*Specify right or left hand discharge

**Straight and flared sides are now available as standard conveyors.**

**Specify straight or flared sides when ordering**

**Different size pans are available as special orders**

### MELLOTT MFG. CO., INC.

13156 Long Lane

Mercersburg, PA 17236

Phone: (717) 369-3125 Fax: (717) 369-2800

**SOLD BY:**