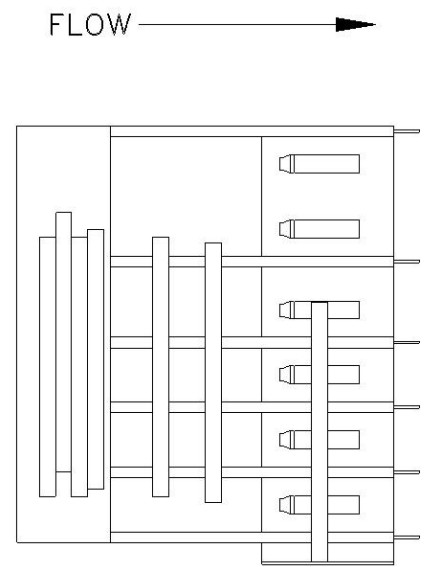
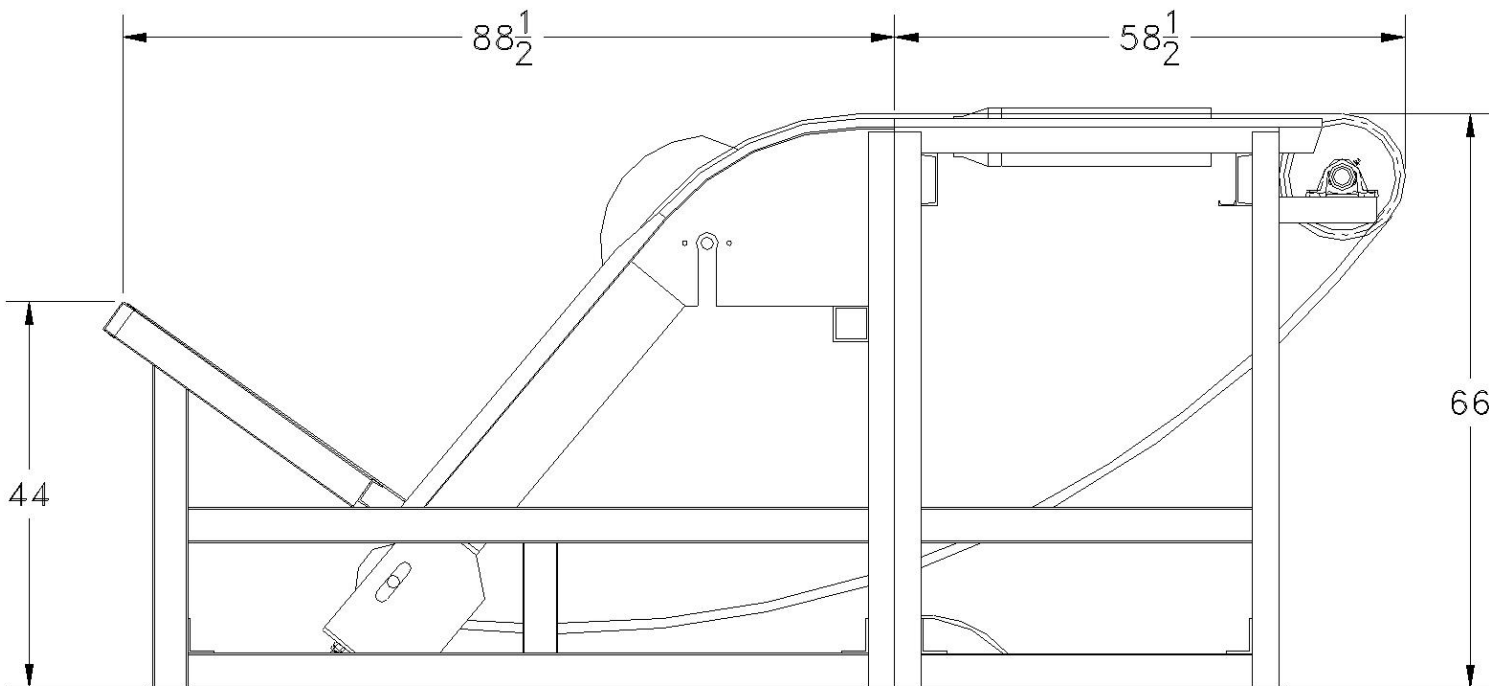


FLOW →



EVEN-END RIGHT