

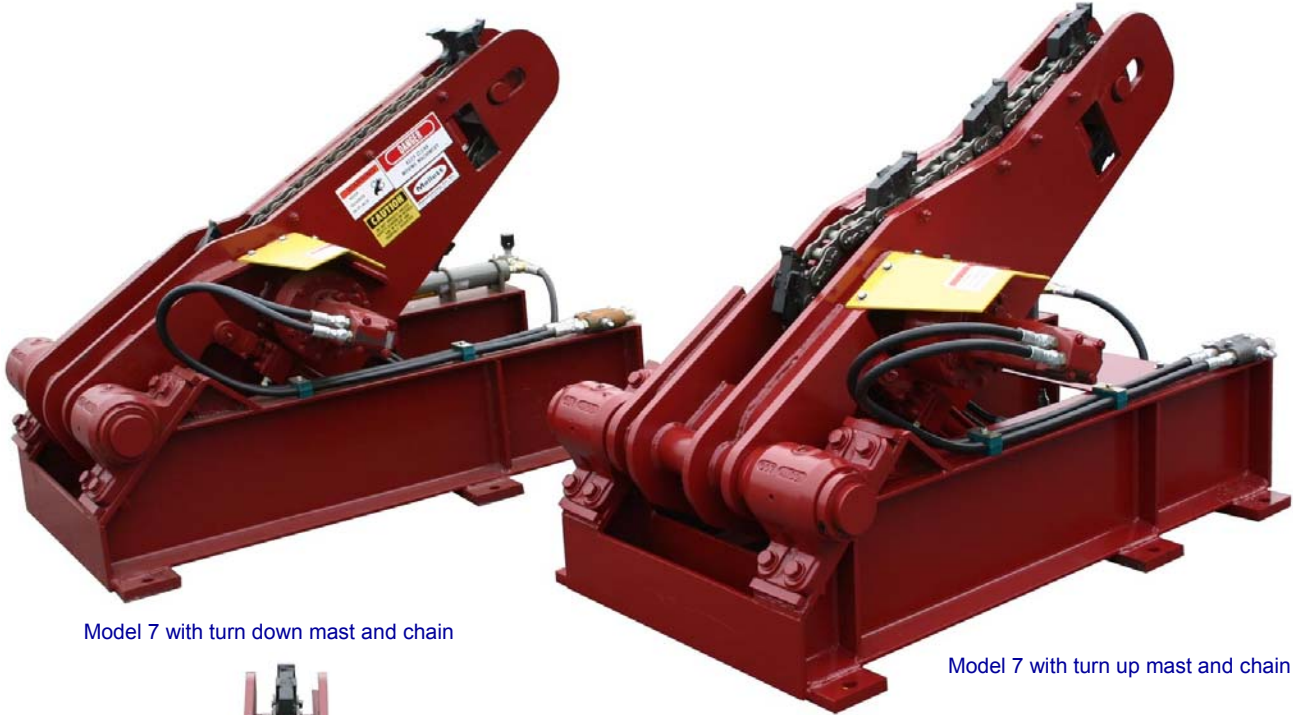


# Mellott

## LOG AND LUMBER HANDLING EQUIPMENT

### MODEL 7 LOG TURNER

TURN UP AND TURN DOWN VERSION



Model 7 with turn down mast and chain

Model 7 with turn up mast and chain



The Model 7 is pivoted on a 3 7/16" diameter shaft with urethane sleeve bearings.

The log turning chain is direct driven by a planetary gearbox with plug in hydraulic motor

#### MELLOTT MFG. CO., INC.

13156 Long Lane  
Mercersburg, PA 17236  
Phone: (717) 369-3125 Fax: (717) 369-2800

### FEATURES

The Model 7 log turner is available in both a turn up and a turn down version.

The mast of the turn up version is angled away from the carriage so that the turner will pull out on the bottom of a log or cant. This makes turning a log easier and allows the corner of a cant to swing out while turning, requiring less mast movement and less operator input.

Extra heavy construction and a simple design are used throughout the Model 7 in order to keep maintenance and down time to a minimum.

- Frame constructed of S12 x 31.8 Lb. beam
- Pivot shaft is 3 7/16" diameter
- Pivot bearings are one piece urethane sleeve bearings
- Log turning chain is an extra heavy version of Rc160
- Log turning chain is direct driven by a planetary gearbox with a plug in hydraulic motor
- The chain take-up is enclosed in the turner mast to prevent damage
- The side and bottom chain wear plates are replaceable

**SOLD BY:**

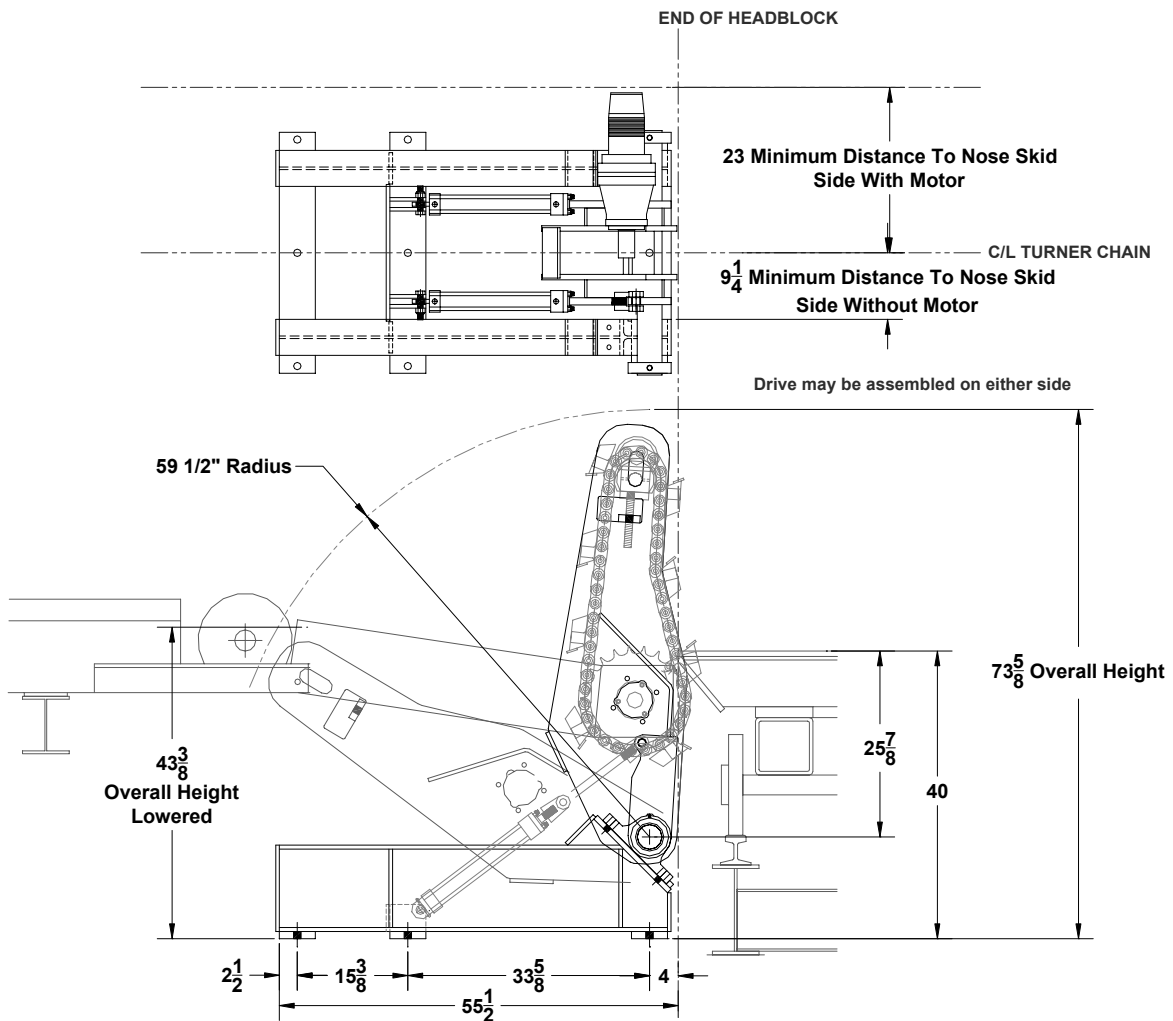


# LOG AND LUMBER HANDLING EQUIPMENT

## MODEL 7 LOG TURNER

### SPECIFICATIONS

Frame .....	S12 X 31.8 beam
Mast.....	(2) 3/4" flame cut plates
Pivot shaft.....	3 7/16" diameter
Pivot bearings.....	(2) urethane sleeve bearings
Cylinders.....	(2) 2" bore X 14" stroke, 3000 psi rated hydraulic cylinders
Turning chain.....	RC 160 SU "super ultimate" roller chain
Drive.....	Planetary gearbox, 2 1/4" output shaft, direct coupled to hydraulic motor
Drive sprocket.....	H160R22 with R2 - 2 1/4" bushing
Turning lugs.....	1 1/4" x 1 1/2" cold finish bar with A.R. 235 wear surface
Turn up chain .....	(8) turn up lugs
Turn down chain.....	(1) turn down lug and (5) turn up lugs
Hydraulic requirements.....	18 gpm @ 1250 psi minimum, 25 gpm @ 1500 psi recommended
Control options.....	Manually operated control stick ..... Electric joystick controller ..... Hydraulic pilot joystick controller
Weight .....	1900 Lbs.



SOLD BY:

**MELLOTT MFG. CO., INC.**  
 13156 Long Lane  
 Mercersburg, PA 17236