



Mellott

LOG AND LUMBER HANDLING EQUIPMENT

HOURGLASS ROLLCASES



HOURGLASS ROLLCASE WITH LOG STOP
AND 6 ARM KICKOFF TO THE RIGHT

FEATURES

- The Mellott Hourglass Rollcase is designed to move logs lengthwise.
- They can be equipped with kickoffs to the right, left, or both sides.
- The kickers are available with automatic or manual controls.
- The kicker functions can be configured for either air or hydraulic operation.
- Drive options include electric motor with foot mounted speed reducer or a hydraulic motor using a chain drive .
- The hourglass rolls are 8" diameter heavy wall pipe weldments with 2 15/16" diameter shafts, 3/4" thick end plates and spokes.
- The hourglass rolls are 36" face with an 18" major diameter and a 9" minor diameter.
- Heavy duty sleeve bearings and RC100 roller chain is used for all rolls.



SOLD BY:

MELLOTT MFG. CO., INC.

13156 Long Lane
Mercersburg, PA 17236
Phone: (717) 369-3125 Fax: (717) 369-2800
www.mellottmfg.com

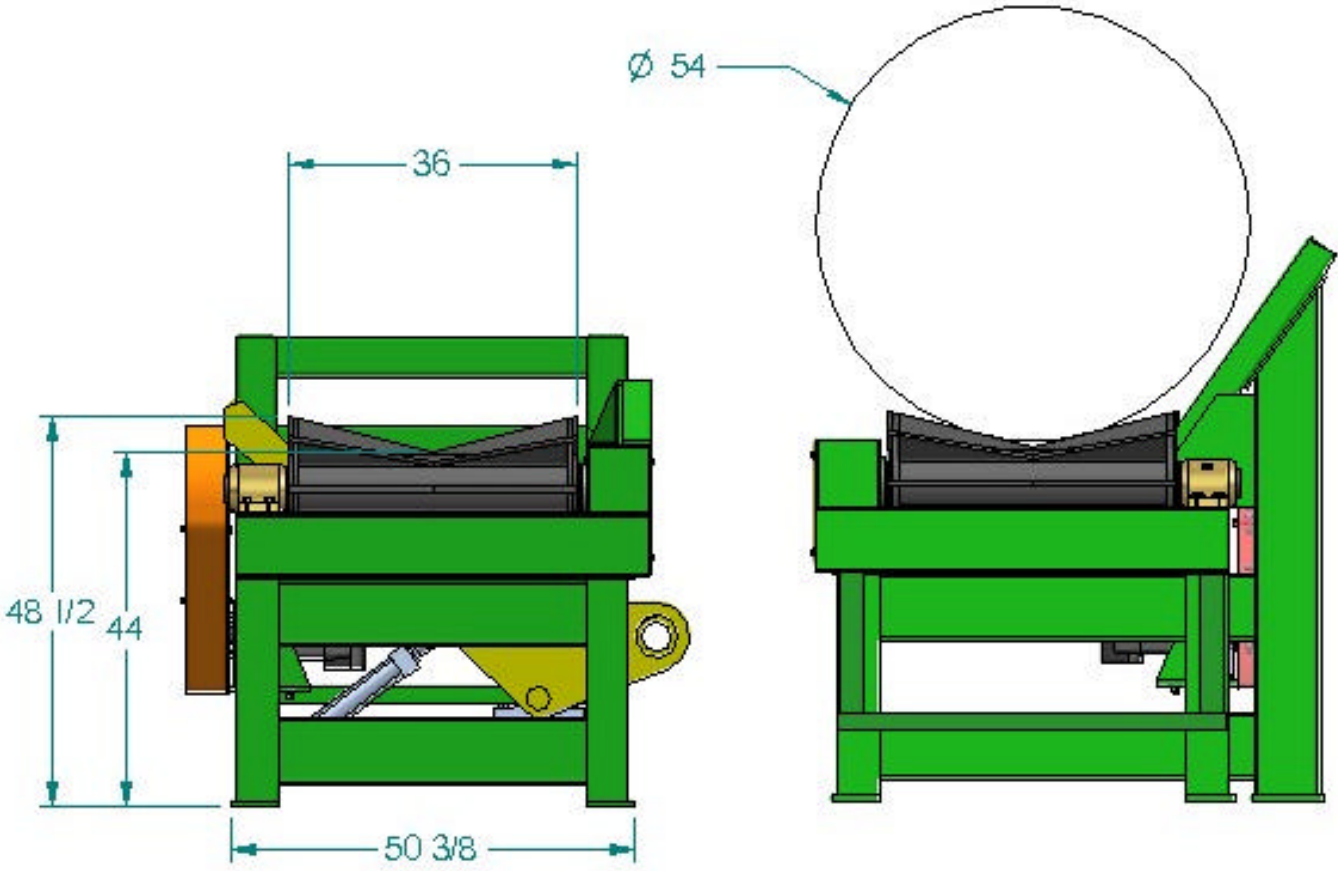


LOG AND LUMBER HANDLING EQUIPMENT

HOURGLASS ROLLCASES

SPECIFICATIONS

Frame.....	S8 x 23 Beam with 16" x 8" x 1/2" Chain Enclosure
Rolls	8" heavy Wall Pipe Weldments With 2 15/16" diameter Shafts And 3/4" End Plates And Spokes
Bearings	Heavy Duty Sleeve Bearings
Log Diameter.....	54" Maximum
Sprockets	DS100R17 With R1 2 15/16" Bushings
Chain	RC100 Roller Chain
Hydraulic Drive.....	Eaton 10,000 Series Motor with 120 Roller Chain
Electric Drive	Sumitomo Foot Mounted Cyclo Reducer With TEFC C-Face Motor
Speed.....	115 FPM
Kickoff	6 Arm, 1 1/4" Flame Cut Plates
Air Kickoff.....	(2) 5" x 12" cylinders per kicker
Hydraulic Kickoff.....	(2) 2 1/2" x 12" cylinders per kicker



END VIEW WITH KICKOFF AND STOP

END VIEW WITH REINFORCEMENT

MELLOTT MFG. CO., INC.
 13156 Long Lane
 Mercersburg, PA 17236
 Phone: (717) 369-3125 Fax: (717) 369-2800
www.mellottmfg.com

SOLD BY: