

The Mellott logo consists of the word "Mellott" in a bold, black, sans-serif font, centered within a white oval. This oval is set against a solid red rectangular background.

LOG AND LUMBER HANDLING EQUIPMENT

HEAVY DUTY BARK CONVEYOR



FEATURES

The Mellott Bark Conveyor trough is made using formed 10 gauge plate and 14 x 50mm hardened chain.

The electric drive uses a Sumitomo helical bevel reducer with either a 3hp or 5hp TEFC motor with 3 groove 3v belts to the reducer.

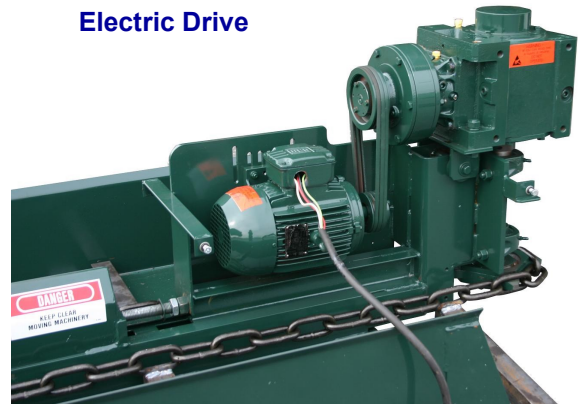
The hydraulic drive uses a 6,000 series Eaton hydraulic motor with RC100 roller chain to the 2 7/16" drive shaft.

The drive sprocket is a toothed type with hardened teeth and mounted with a Browning Q1 size split taper bushing.

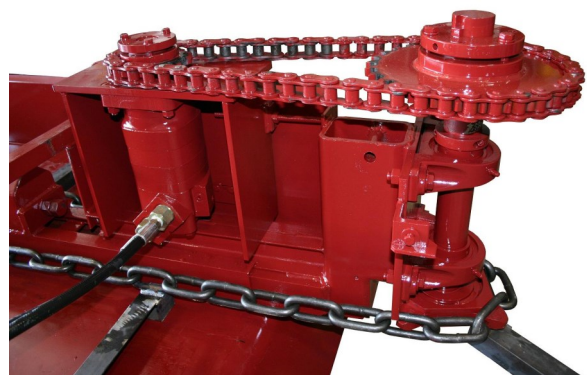
All idler wheels for turns and transition to inclined are hardened.

The conveyor is available with 90 degree turns and transition from horizontal to inclined.

Electric Drive



Hydraulic Drive



MELLOTT MFG. CO., INC.

13156 Long Lane
Mercersburg, PA 17236
Phone: (717) 369-3125 Fax: (717) 369-2800
www.mellottmfg.com



LOG AND LUMBER HANDLING EQUIPMENT

BARK CONVEYOR

SPECIFICATIONS

Trough	Formed 10 gauge plate
Chain	14 x 50mm case hardened round link chain
Flights	2" x 2" x 1/4" angle
Electric drive	Sumitomo helical bevel reducer with 3hp or 5hp tefc motor
Hydraulic drive	Eaton 6,000 series hydraulic motor with Rc100 roller chain
Drive sprocket	6 tooth hardened sprocket with Q1 bushing
Drive shaft	2 7/16" diameter
Idlers	Case hardened steel

Components available for mounting in concrete troughs

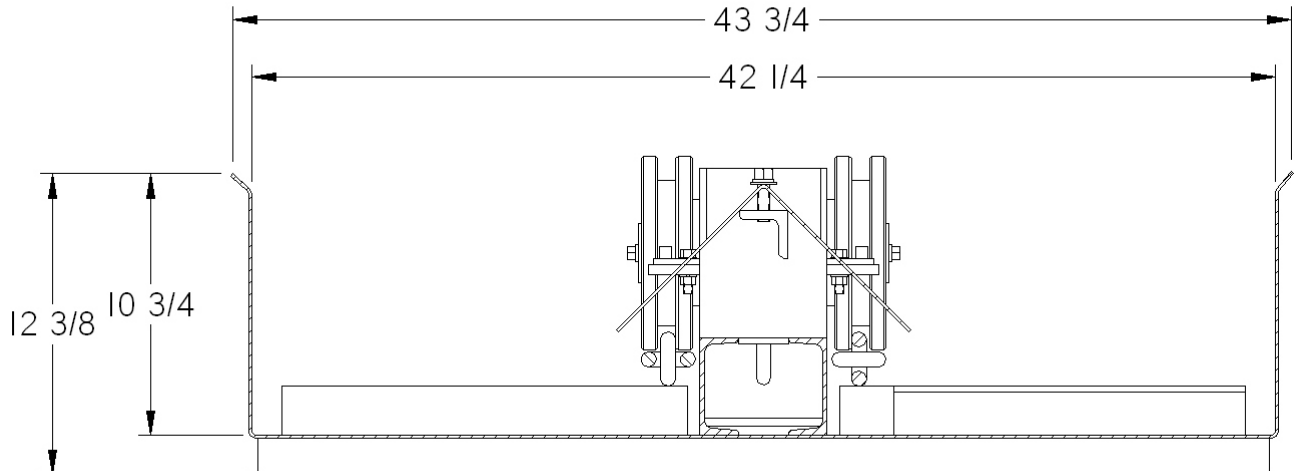


Drive Sprocket

The drive sprocket has forged and through-hardened teeth for wear resistance and long life. The case hardened chain and flights mount to the chain with forged shackles rather than welding.



90 Degree Turn Assembly



MELLOTT MFG. CO., INC.

13156 Long Lane

Mercersburg, PA 17236

Phone: (717) 369-3125 Fax: (717) 369-2800

www.mellottmfg.com

SOLD BY: